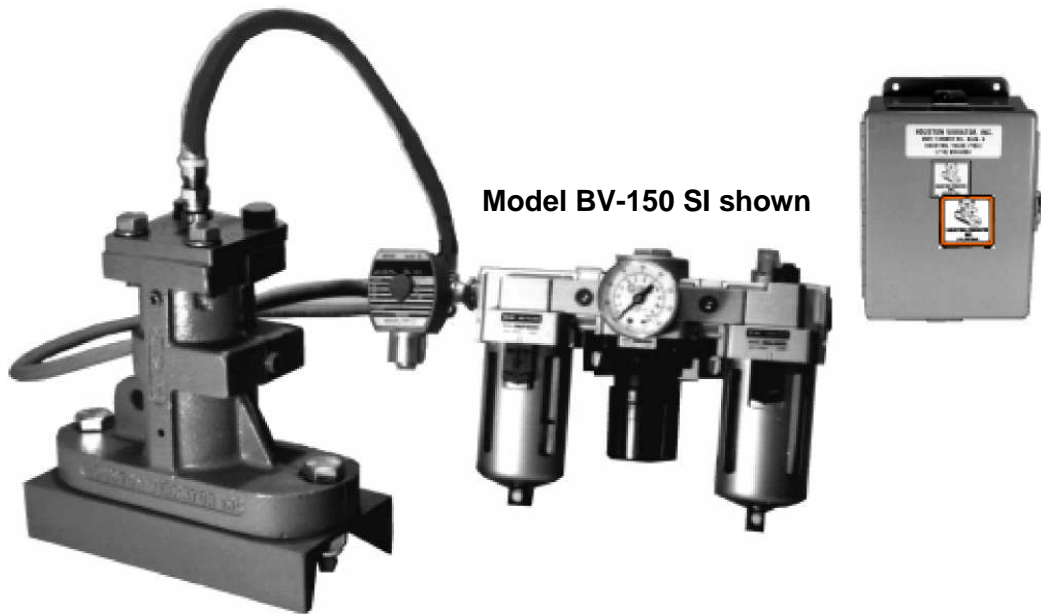


### Single Impulse Pneumatic Piston Vibrators



The timed impact of the Single Impulse (SI) design allows for low frequency vibration, reduced noise levels, and greater material control.

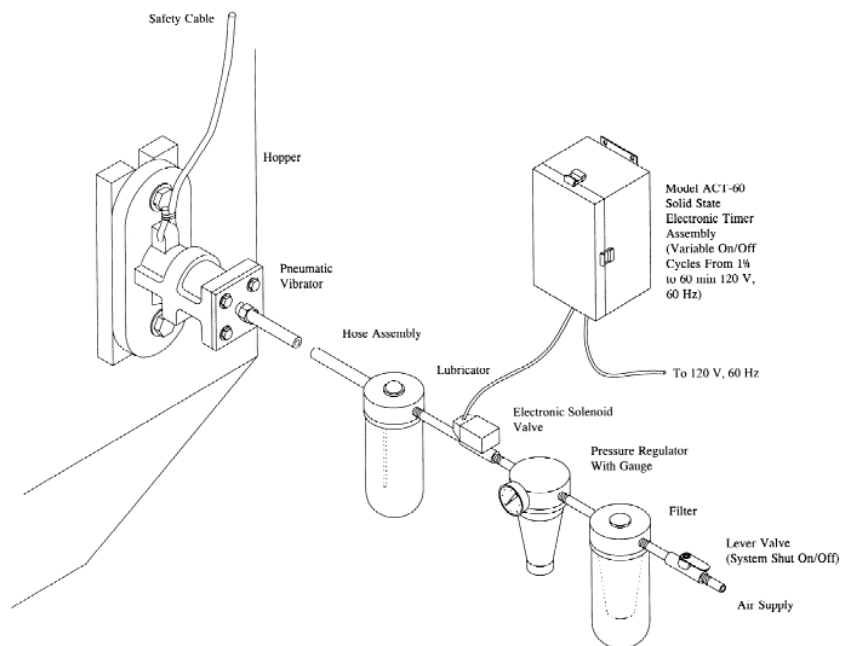
SI Series models are ideal for removal of powdered materials found in most dust collection hoppers and bag houses. Essentially, the SI Series vibrator is a sledgehammer with both controlled intensity and controlled frequency.

Six sizes are available, and each can be converted in the field to a continuously impacting vibrator if needed.

SI Series vibrators require the use of a pneumatic or electronic timer and solenoid valve. (See diagram at right)

Please see reverse for technical data of the SI Series.

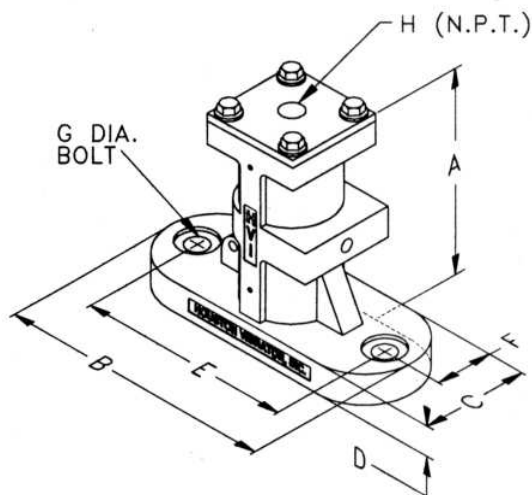
#### TYPICAL SI SERIES INSTALLATION:



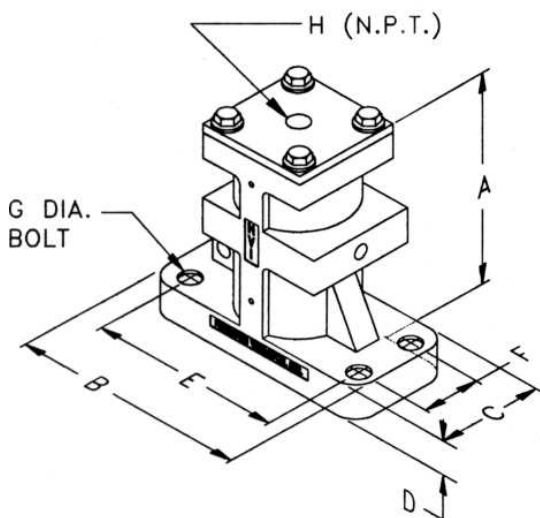
Air Schematics for multiple-unit or pneumatic timer installations available from your Houston Vibrator salesperson.

# SI SERIES TECHNICAL DATA

## MODELS BV-112 THRU BV-225



## MODELS BV-312 THRU BV-425



### DIMENSIONS

| MODEL     | A      | B      | C      | D      | E      | F      | G    | H    |
|-----------|--------|--------|--------|--------|--------|--------|------|------|
| BV-112 SI | 3-3/4" | 4-1/2" | 2"     | 1/2"   | 3-1/2" | 1"     | 1/2" | 1/4" |
| BV-150 SI | 5-1/2" | 6"     | 2-1/2" | 3/4"   | 4-1/2" | 1-1/4" | 1/2" | 1/4" |
| BV-175 SI | 7-1/4" | 9"     | 3-1/2" | 1"     | 7-1/2" | 1-3/4" | 5/8" | 1/4" |
| BV-225 SI | 7-1/4" | 9"     | 3-1/2" | 1"     | 7-1/2" | 1-3/4" | 5/8" | 1/4" |
| BV-312 SI | 9-5/8" | 9-1/2" | 5"     | 1-3/8" | 7-3/4" | 3-1/4" | 7/8" | 3/8" |
| BV-350 SI | 9-5/8" | 9-1/2" | 5"     | 1-3/8" | 7-3/4" | 3-1/4" | 7/8" | 3/8" |
| BV-425 SI | 12"    | 14"    | 6"     | 1-1/2" | 12"    | 4"     | 1"   | 1/2" |

### SI SERIES FORCE OUTPUT (FT-LB)

| MODEL     | 30 PSI | 40 PSI | 50 PSI | 60 PSI | 70 PSI | 80 PSI | 90 PSI |
|-----------|--------|--------|--------|--------|--------|--------|--------|
| BV-150 SI | 5      | 7      | 8      | 10     | 12     | 13     | 15     |
| BV-175 SI | 7      | 10     | 13     | 15     | 18     | 20     | 23     |
| BV-225 SI | 14     | 19     | 24     | 29     | 34     | 38     | 43     |
| BV-312 SI | 41     | 54     | 68     | 82     | 95     | 108    | 122    |
| BV-350 SI | 60     | 83     | 105    | 120    | 143    | 165    | 185    |
| BV-425 SI | 153    | 198    | 252    | 305    | 351    | 396    | 448    |

### SI SERIES AIR CONSUMPTION (SCF/STROKE)

| MODEL     | 20 PSI | 40 PSI | 60 PSI | 80 PSI |
|-----------|--------|--------|--------|--------|
| BV-112 SI | 0.0007 | 0.0010 | 0.0014 | 0.0018 |
| BV-150 SI | 0.0015 | 0.0023 | 0.0031 | 0.0040 |
| BV-175 SI | 0.0020 | 0.0031 | 0.0043 | 0.0054 |
| BV-225 SI | 0.0033 | 0.0052 | 0.0071 | 0.0090 |
| BV-312 SI | 0.0089 | 0.0140 | 0.0191 | 0.0241 |
| BV-350 SI | 0.0111 | 0.0175 | 0.0239 | 0.0302 |
| BV-425 SI | 0.0188 | 0.0295 | 0.0403 | 0.0510 |